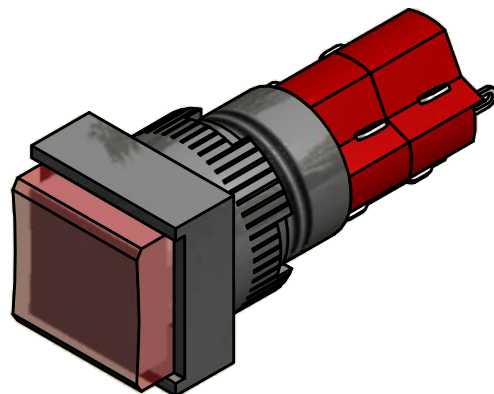
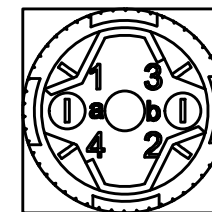
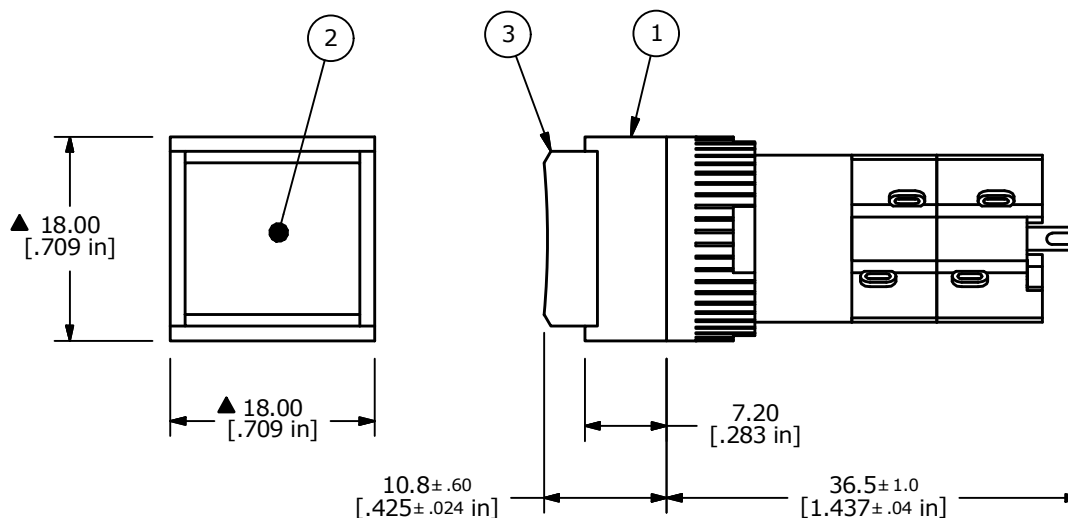
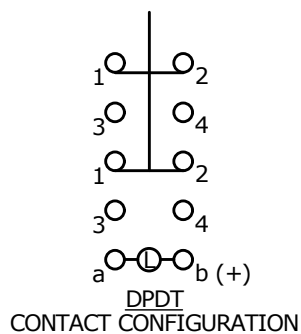


PANEL MOUNTING



PARTS LIST				
ITEM	QTY	PART NUMBER	DESCRIPTION	
1	1	F040020	D16EES12	
2	1	F050423	50-004-23 24VDC RED LED	
3	1	F050304	50-003-04 TRANSPARENT RED SQUARE CONCAVE	



- NOTE:
1. ALL DIMENSIONS IN MM [INCH]
 2. GENERAL TOLERANCE: X.X = ±0.4
X.XX = ±0.25
 3. TERMINAL NUMBERS FOR REF ONLY
 4. RATING: 5A @ 250 VAC
8A @ 125 VAC
6A @ 24 VDC
 5. ELECTRICAL LIFE: 50,000 OPERATIONS
 6. INSULATION RESISTANCE: 1,000 MILLI-OHM MIN.
 7. OPERATING TEMP.: -25°C to 55°C
 - ▲ 8. LAMP VOLTAGE: 24VDC RED LED
 9. ▲ DENOTES CRITICAL PARAMETER
 10. 2011/65/EU (ROHS) COMPLIANT
 11. PANEL THICKNESS: 0.5-5.0mm



A	22513	RELEASED FOR PRODUCTION	9/20/16	MW
REV	PCR NO	DESCRIPTION	DATE	BY

TITLE D16EES12KREDRED				
SCALE	DATE	DR	DWG	REV
3:2	9/20/2016	MW	XF0911P	A

THE INFORMATION CONTAINED IN THIS DOCUMENT IS PROPRIETARY TO E-SWITCH AND IS NOT TO BE COPIED OR TRANSFERRED